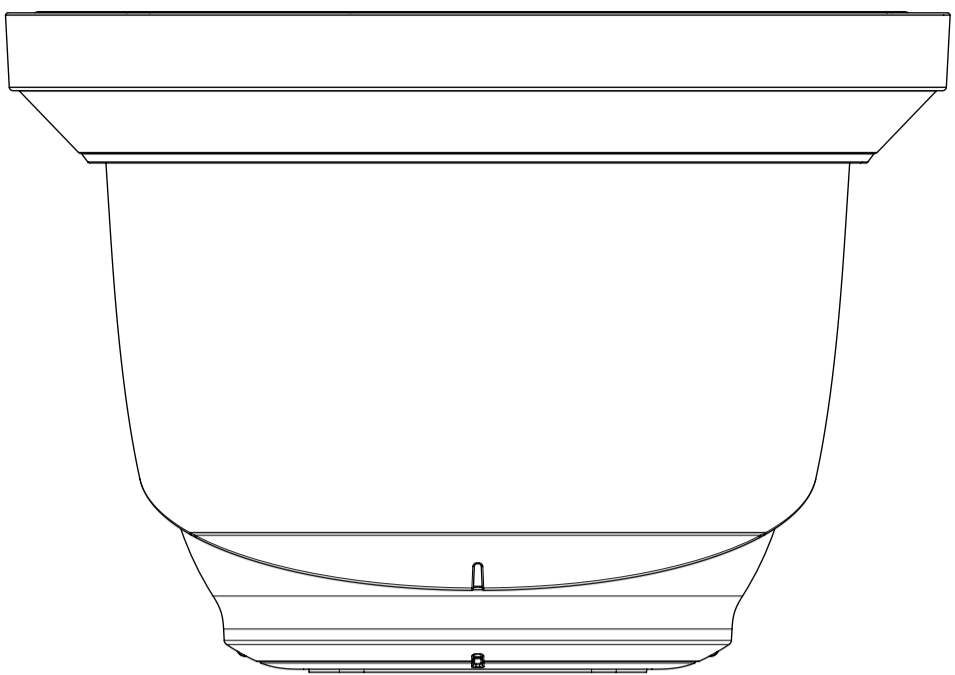
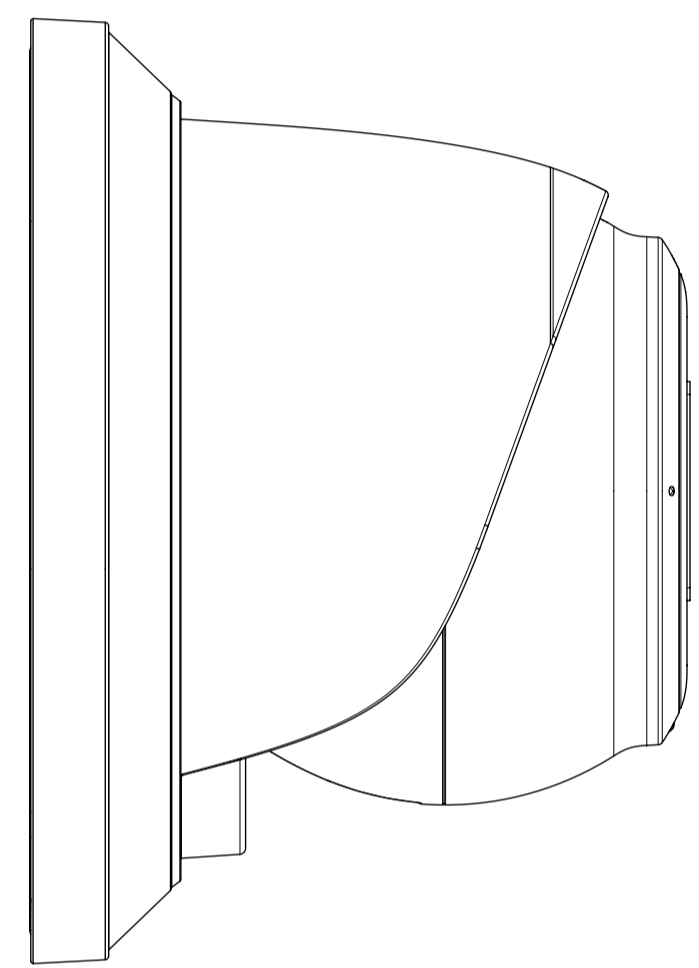


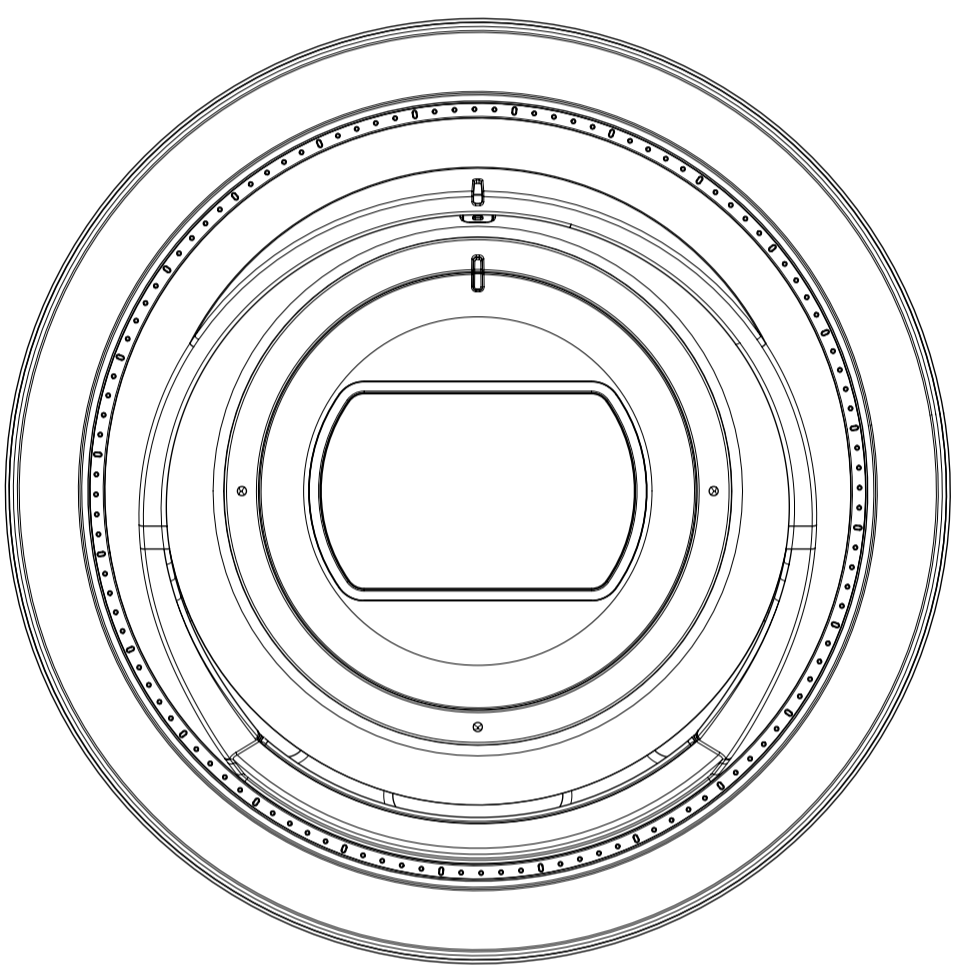
NO	PART NAME	CODE NO.	MATERIAL	Q'TY	REMARK
1	ASSY-TOTAL_QNE-8011R_V1	065631	Check note	1	-



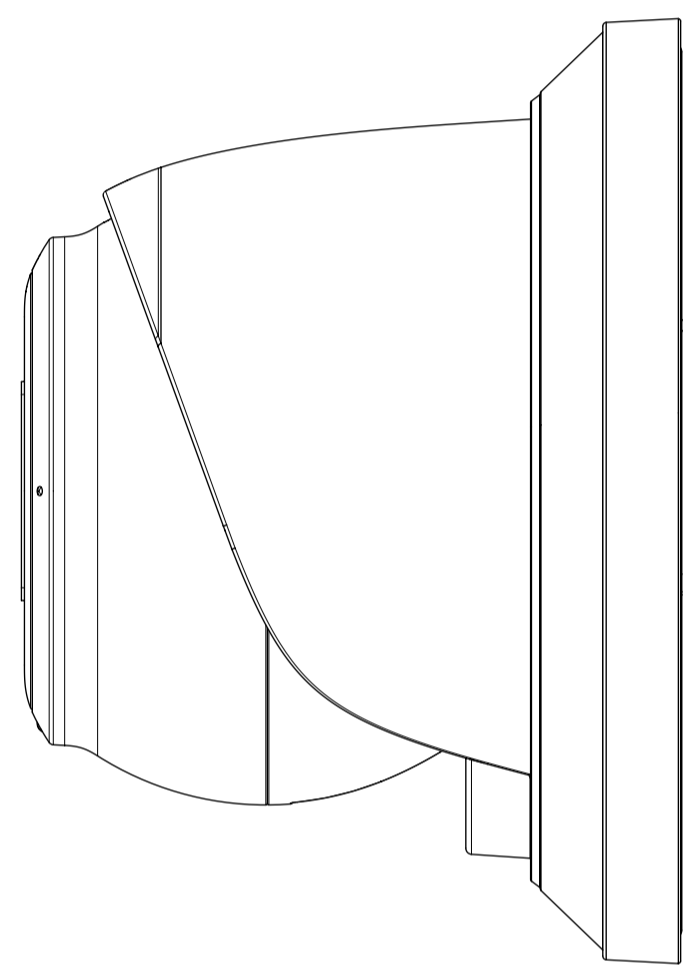
[REAR VIEW]



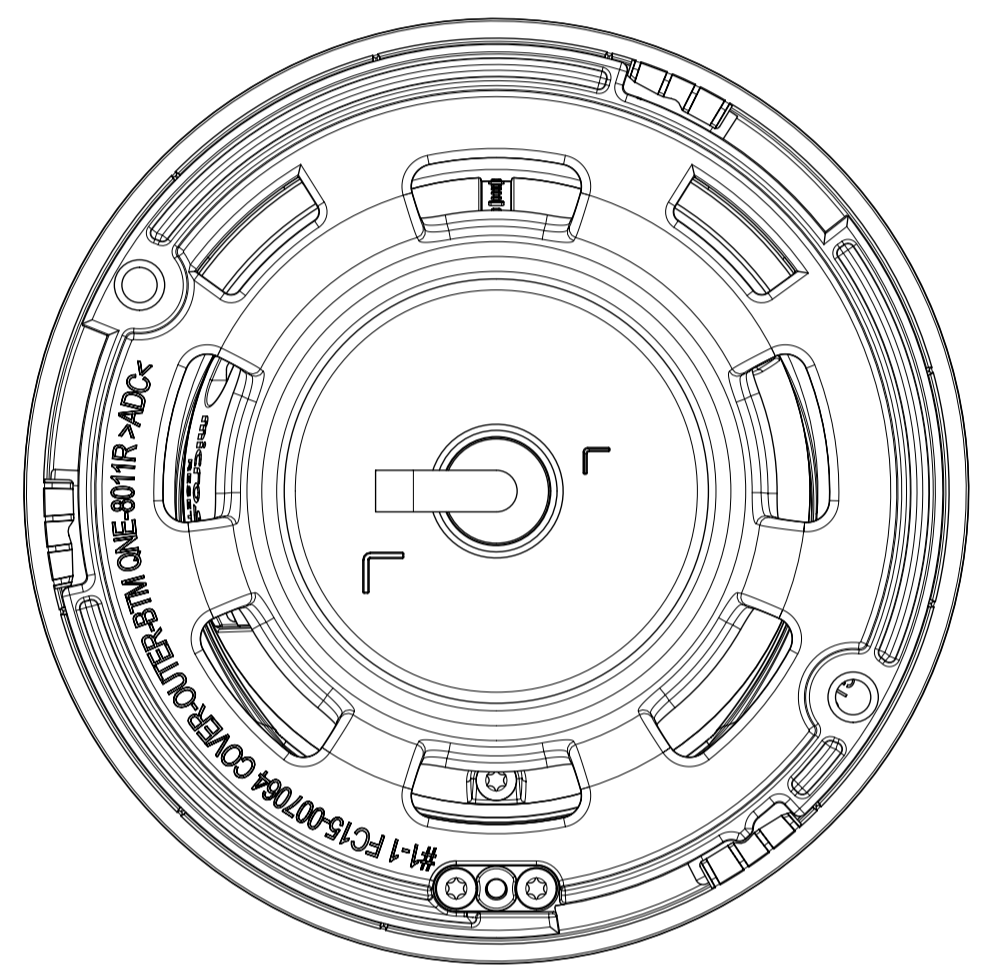
[LEFT VIEW]



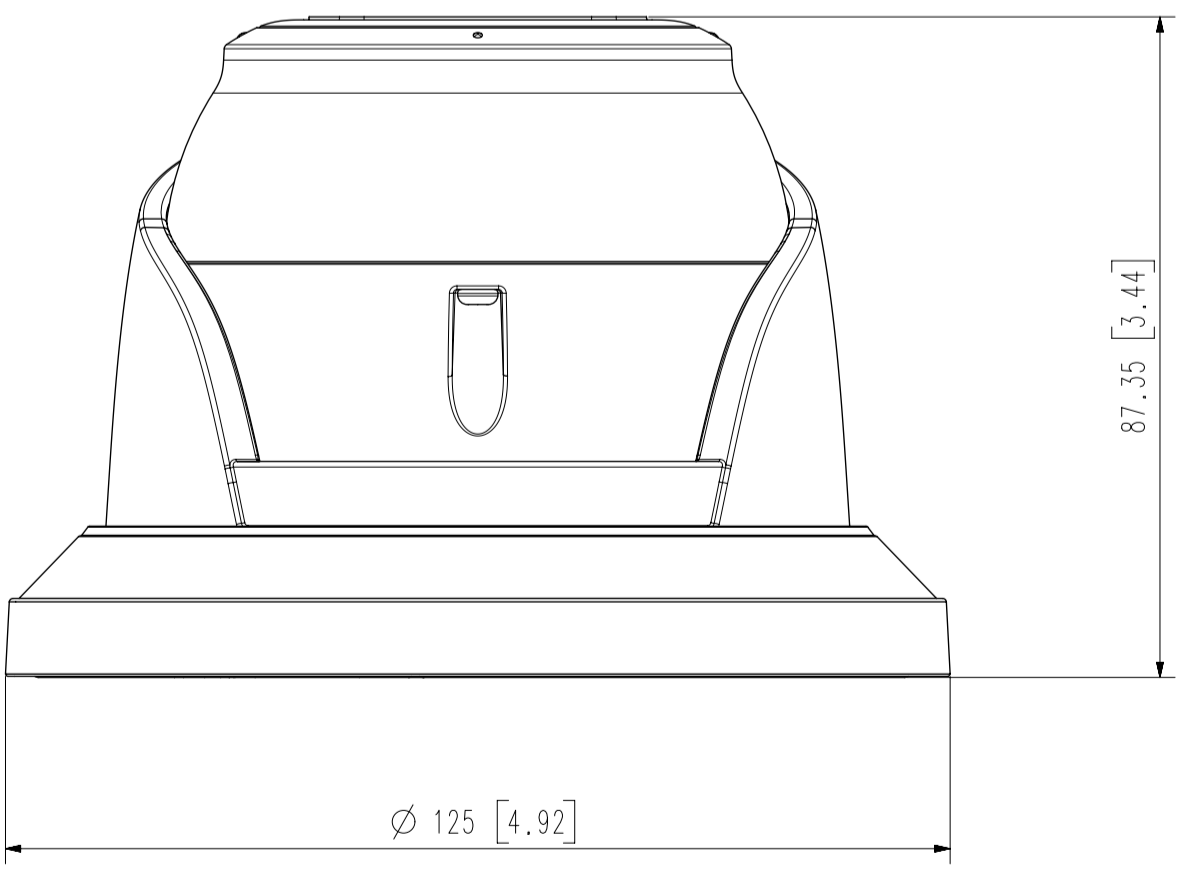
[TOP VIEW]



[RIGHT VIEW]



[BOTTOM VIEW]



[FRONT VIEW]

\* Dimension Unit : mm [Inch]

AI  
CHANGE

UNIT	mm	DESIGN	CHECK	APPROVAL	PART NAME	APPEARANCE_QNE-8011R
SCALE	1 / 1	CHOI . E . S		CHOI . Y . S	MODEL NAME	QNE-8011R/QNE-8021R
		'19.04.08		'19.04.08	CODE NO.	QNE-8011R/QNE-8021R

