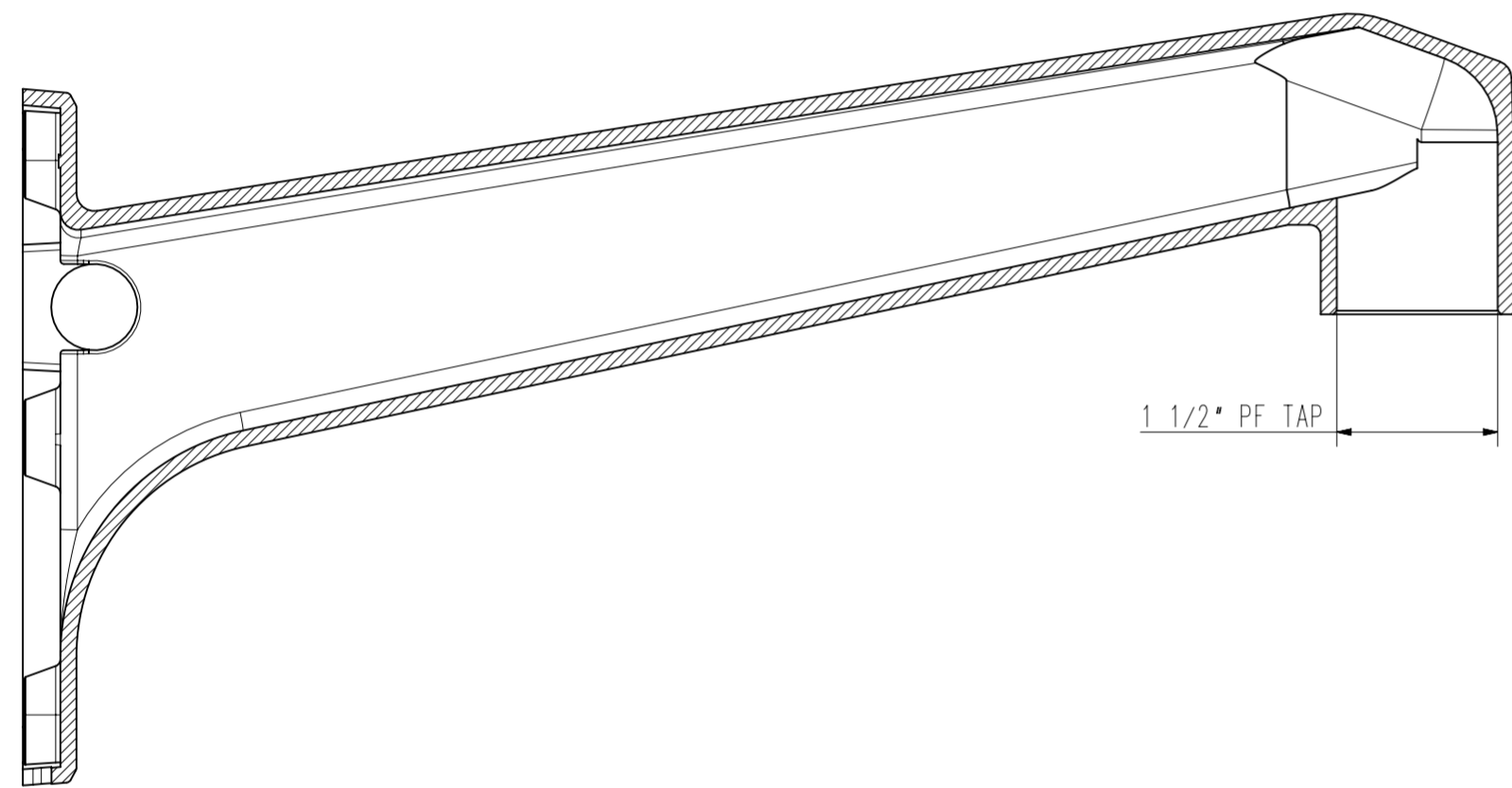
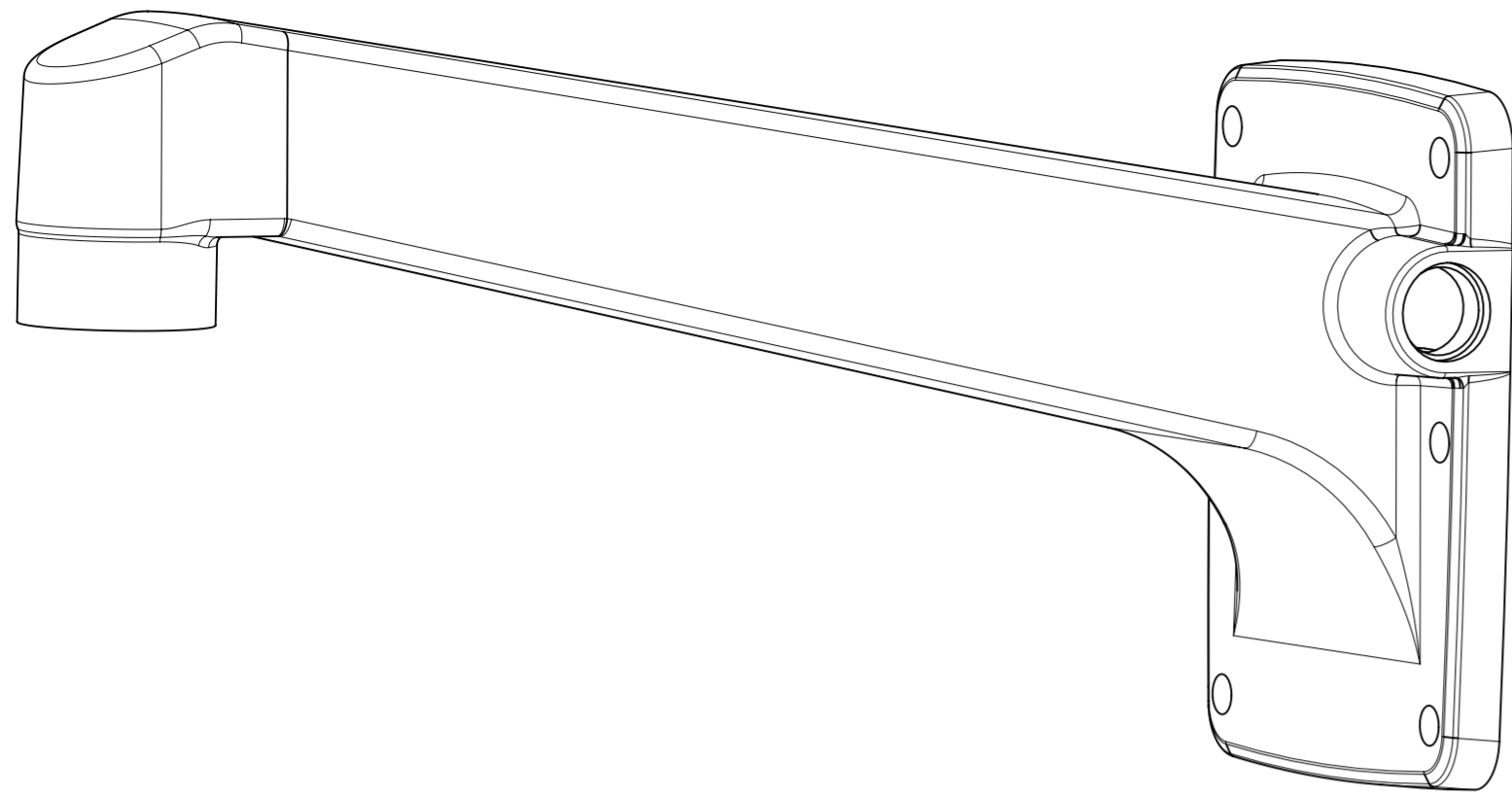
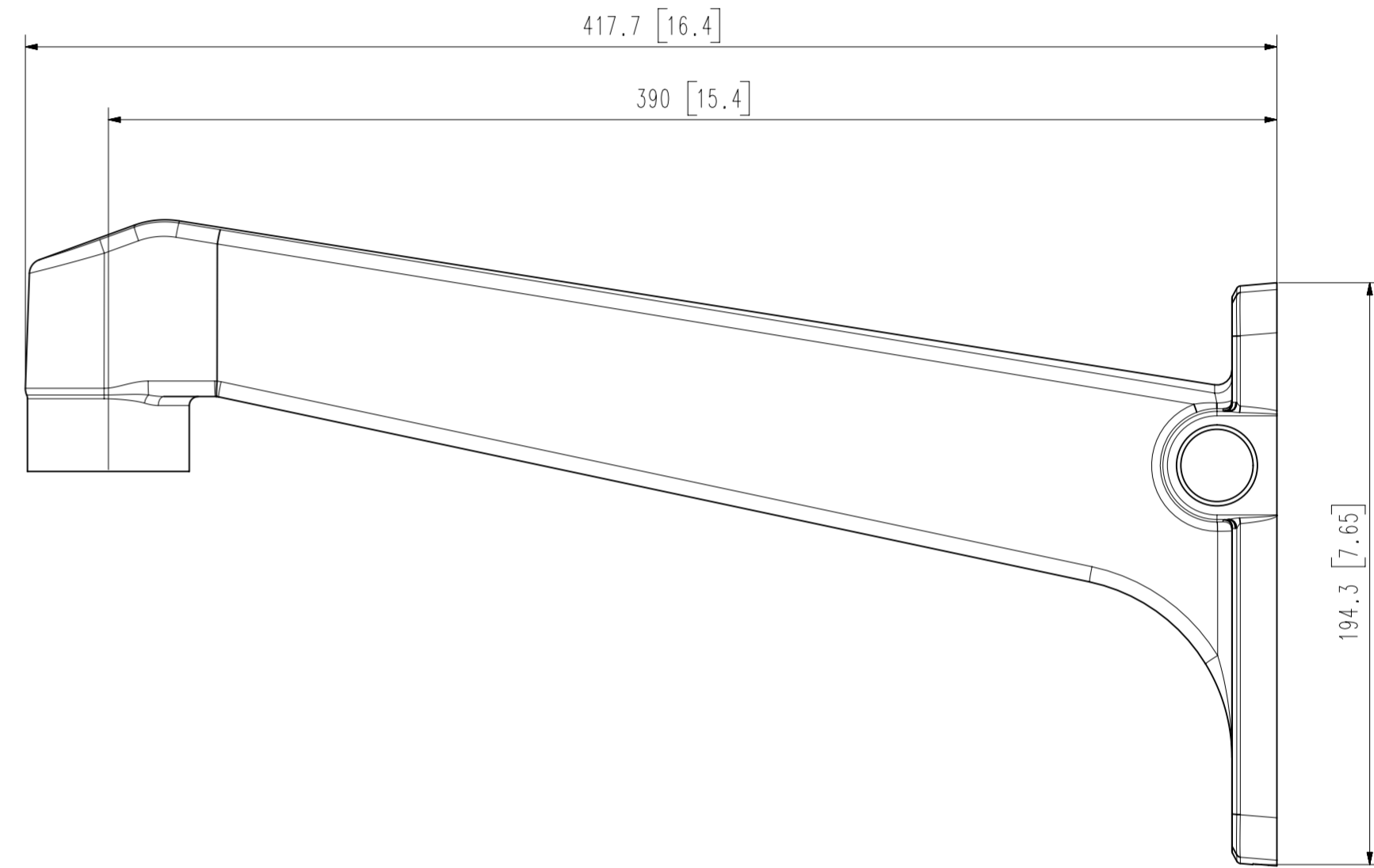
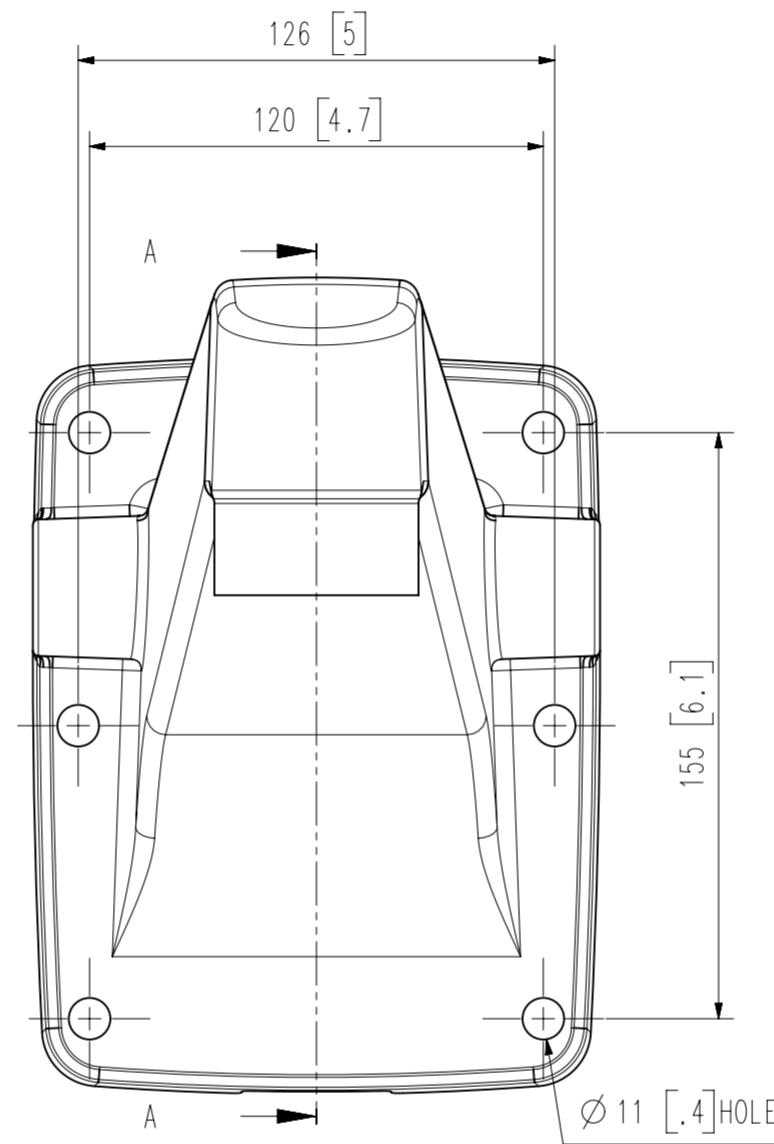


This parts should not contain any substances which are specified in AH60-0033K

NO	PART NAME	CODE NO.	MATERIAL	Q'TY	REMARK
1	BRACKET_WM_SBP-315WM	-	MATERIAL	1	REMARK



SECTION A-A



무게 1650g
[inch]

A2
CHANGE

UNIT	mm	DESIGN	CHECK	APPROVAL	PART NAME	SBP-390WM
SCALE	1/1	Design	Check	Approval	MODEL NAME	SBP-390WM
		15.08.01	15.08.01	15.08.01	CODE NO.	-

Hanwha Techwin